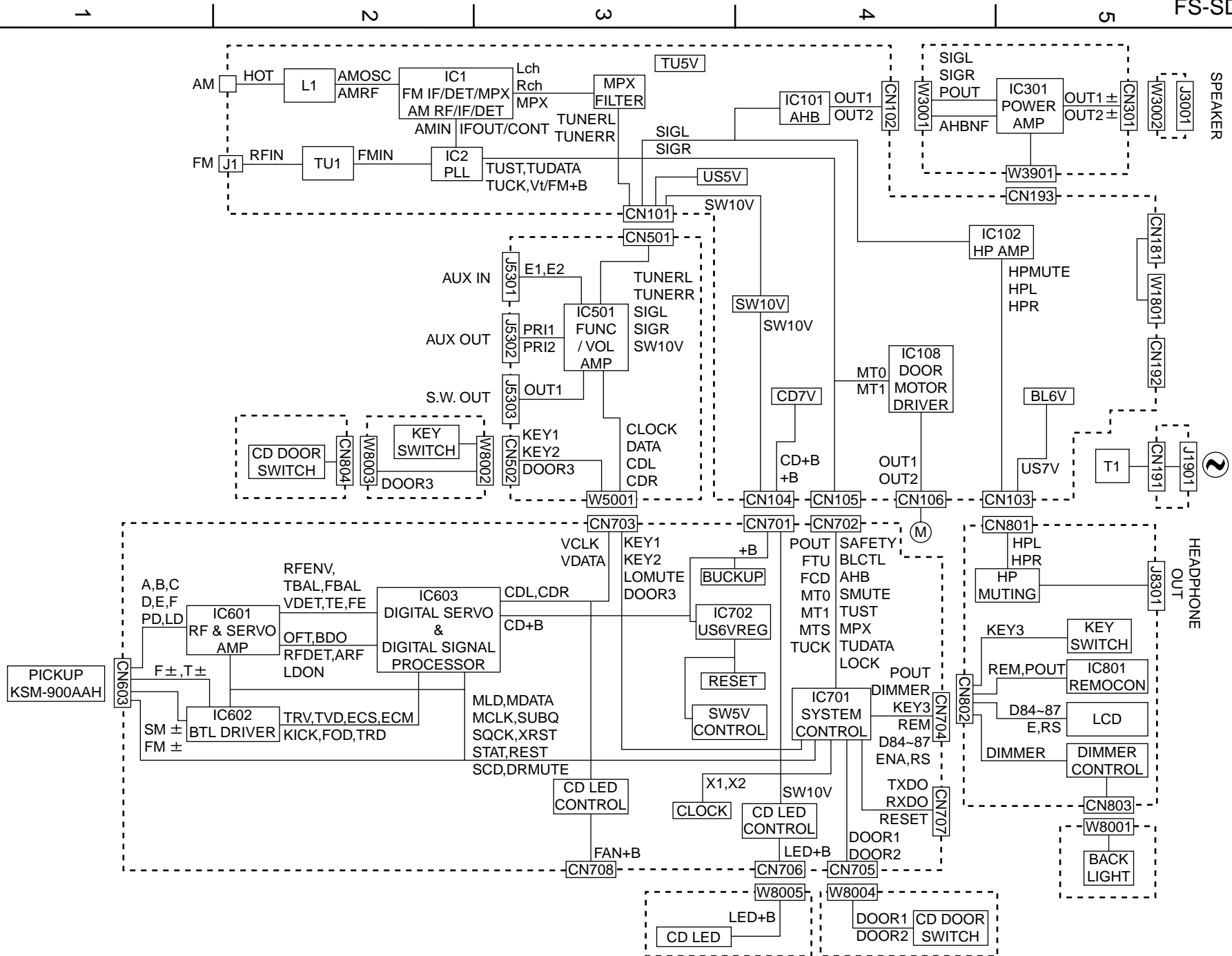


Block diagram

A

B

C



< M E M O >

Standard schematic diagrams

■ CD servo control section

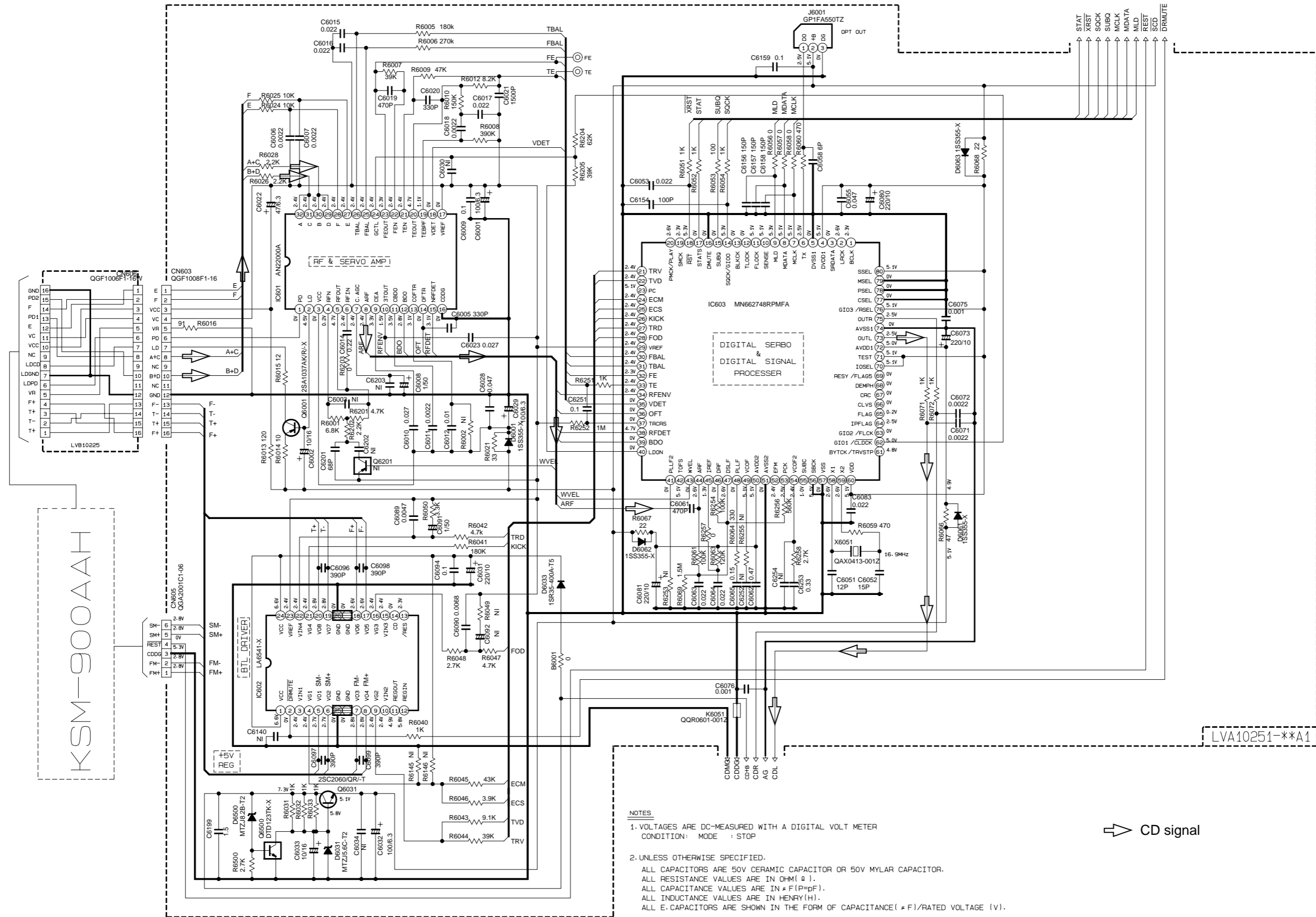
5

4

3

2

1



- NOTES**
- VOLTAGES ARE DC-MEASURED WITH A DIGITAL VOLT METER
CONDITION: MODE : STOP
 - UNLESS OTHERWISE SPECIFIED.
ALL CAPACITORS ARE 50V CERAMIC CAPACITOR OR 50V MYLAR CAPACITOR.
ALL RESISTANCE VALUES ARE IN OHM (Ω).
ALL CAPACITANCE VALUES ARE IN P (P=pF).
ALL INDUCTANCE VALUES ARE IN HENRY (H).
ALL E. CAPACITORS ARE SHOWN IN THE FORM OF CAPACITANCE (# F) / RATED VOLTAGE (V).

➤ CD signal

Power supply & main circuit section

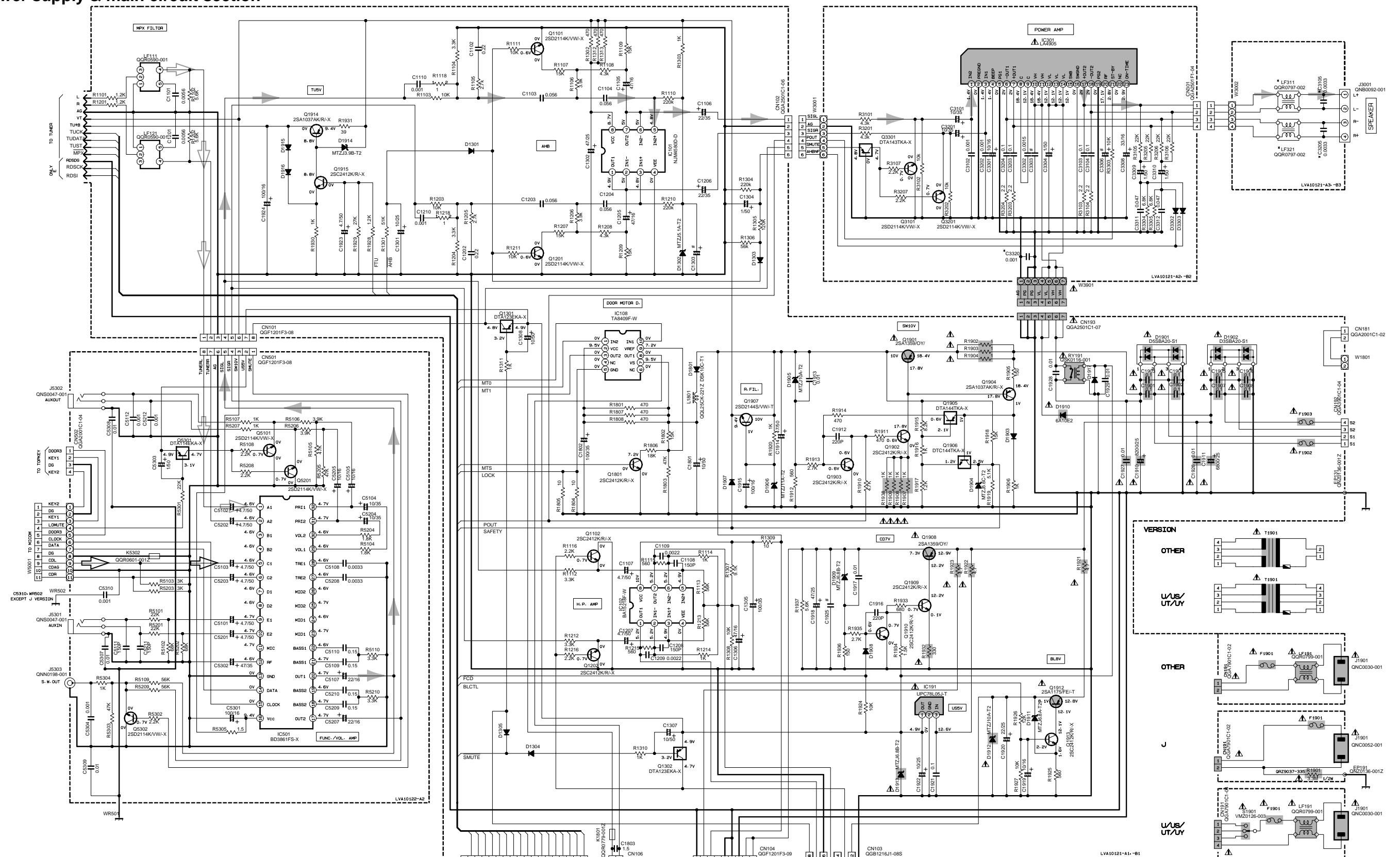
5

4

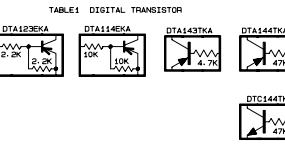
3

2

1



- NOTES**
- VOLTAGES ARE DC-MEASURED WITH A DIGITAL VOLT METER OR OSCILLOSCOPE WITHOUT INPUT SIGNAL. CONDITION — CD STOP MODE
 - UNLESS OTHERWISE SPECIFIED RESISTORS ARE 1/6W ±5% CARBON RESISTOR. ALL RESISTANCE VALUES ARE IN OHM(Ω). ALL CAPACITORS ARE CERAMIC CAPACITOR OR MYLAR CAPACITOR. ALL CAPACITANCE VALUES ARE IN P(F)=P(F). ALL INDUCTANCE VALUES ARE IN H(MMH). ALL E-CAPACITORS ARE SHOWN IN THE FORM OF CAPACITANCE (μF)/RATED VOLTAGE (V). ALL DIODES ARE 1SS133
 - *MARKS ARE B/E/EN/EE/UB VERSION ONLY OTHER VERSIONS ARE OPEN OR SHORT



*Marks

FS-SD550	22/35	0.01	100/35	0.01
FS-SD770	↑	↑	↑	↑
FS-SD990	47/25	0.1	47/25	0.022

J/C	T1901	F1901	F1902	F1903
W/UB	Q9T0286-002	Q9F51E2-R50-J1	Q9F51E2-9R3-J1	Q9F51E2-9H5-J1
W/EN	Q9T0286-001	Q9F51E2-R50-J1	Q9F51E2-9R3-J1	Q9F51E2-9H5-J1
W/EE	Q9T0286-004	Q9F51E2-R50-J1	Q9F51E2-9R3-J1	Q9F51E2-9H5-J1
A	Q9T0286-005	Q9F51E2-R50-J1	Q9F51E2-9R3-J1	Q9F51E2-9H5-J1
UF/UP	Q9T0286-006	↑	↑	↑

- Parts are safety assurance parts. When replacing those parts make sure to use the specified one.
- Tuner signal
- CD signal
- Main signal

Note: /tr/e/jsc/sd550/LVS100571_GNS10002-001A 3/8 FS-SD550/770/990_ALL.ver.

System control section

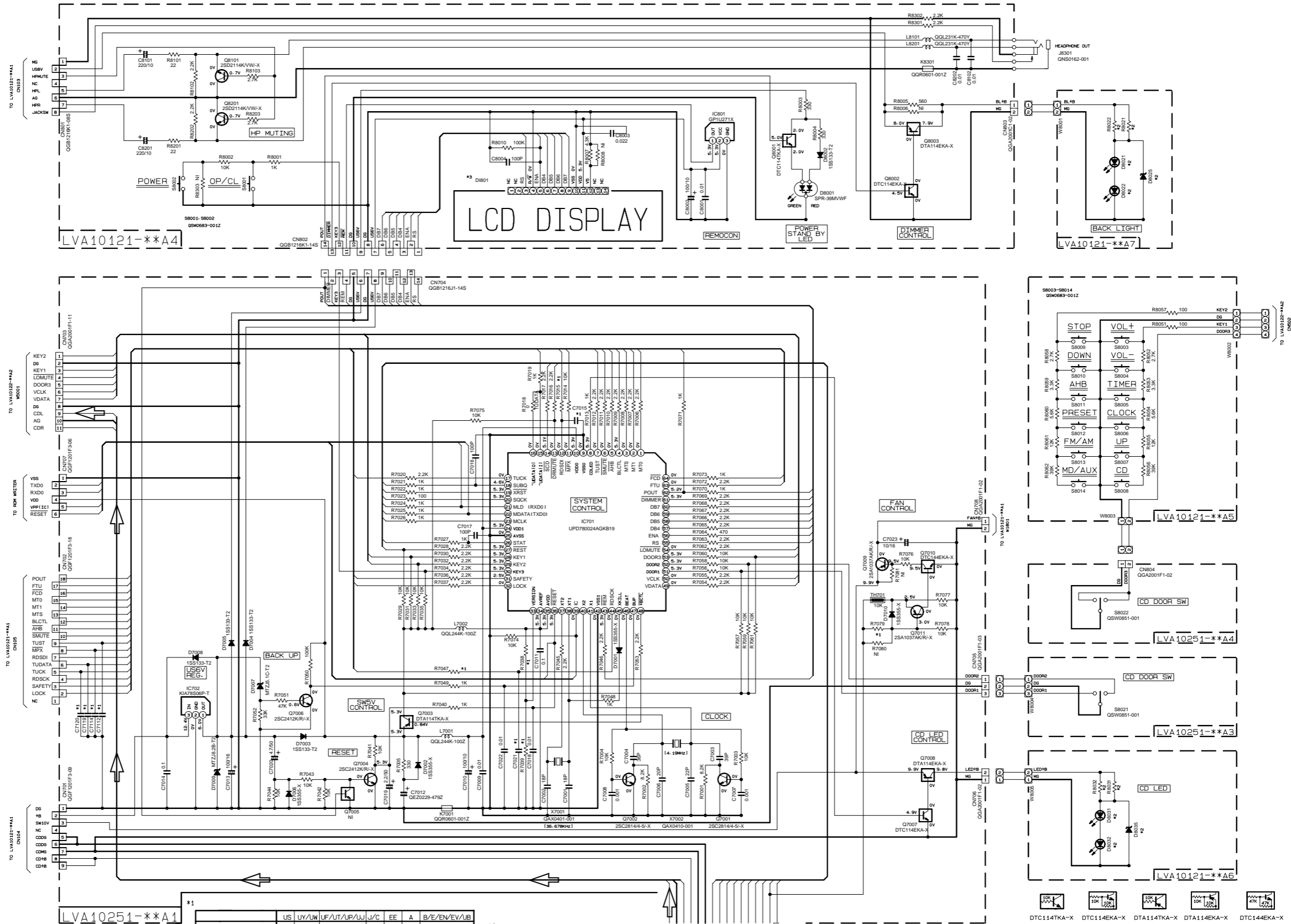
5

4

3

2

1



- NOTES**
- VOLTAGES ARE DC-MEASURED WITH A DIGITAL VOLT METER OR OSCILLOSCOPE WITHOUT INPUT SIGNAL. CONDITION — CD STOP AT AC SUPPLY. VOL: ±16 BASS: 0 TREBLE: 0 AHB: ON DIMMER: OFF.
 - UNLESS OTHERWISE SPECIFIED, RESISTORS ARE 1/10W (OR 1/16W) ±5% MG RESISTOR. ALL RESISTANCE VALUES ARE IN Ω(M). ALL CAPACITORS ARE CERAMIC CAPACITOR OR MYLAR CAPACITOR. ALL CAPACITANCE VALUES ARE IN p(F)±5%. ALL INDUCTANCE VALUES ARE IN μ(H)±5%. ALL E-CAPACITORS ARE SHOWN IN THE FORM OF CAPACITANCE (μF)/RATED VOLTAGE (V).

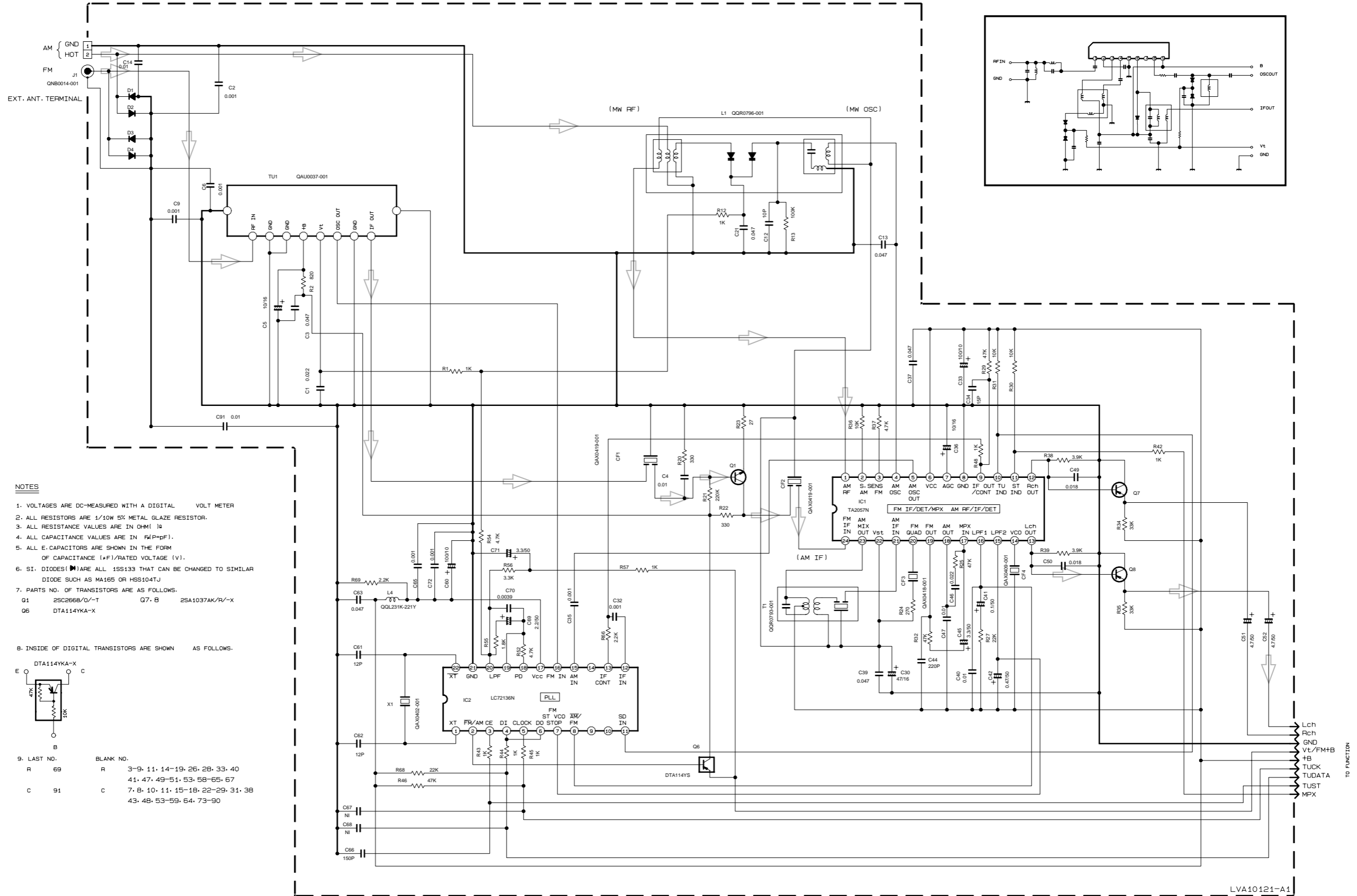
	US	UY/LM	UF/UT/UP/LJ	J/C	EE	A	B/E/EN/EV/UB
R7038	27K	68K	27K	47K	12K	4.7K	10K
R7039	4.7K	27K	4.7K	33K	27K	27K	-
R7015	-	-	-	-	1K	-	1K
C7015	-	-	-	-	100P	-	100P
R7047	-	-	-	-	1K	-	1K
C7021	-	-	-	-	100P	-	100P
C7112, C7114, C7119, C7120	100P	100P	100P	-	-	-	-
R7079	6.8K	5.1K	5.1K	5.1K	5.1K	5.1K	5.1K

	FS-SD990 (R1/770 (R))	FS-SD990 (R)
D8021, D8022	SELU1E50CM	TLYH156P
D8025	MTZJ10C-T2	-
R8021, R8022	100	390
D8031, D8032	SELU1E568M	TLYH156P
D8035	MA3100/M-X	-
R8031, R8032	430	560

	DI801
FS-SD550/770	QLD010-001
FS-SD990	QLD010-001

/s/R/LV200612

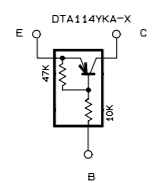
Tuner section



NOTES

1. VOLTAGES ARE DC-MEASURED WITH A DIGITAL VOLT METER
2. ALL RESISTORS ARE 1/10W 5% METAL GLAZE RESISTOR.
3. ALL RESISTANCE VALUES ARE IN OHM(Ω)
4. ALL CAPACITANCE VALUES ARE IN FEMTOPICTO (fF=pF).
5. ALL E. CAPACITORS ARE SHOWN IN THE FORM OF CAPACITANCE (nF)/RATED VOLTAGE (V).
6. SI. DIODES (D) ARE ALL 1SS133 THAT CAN BE CHANGED TO SIMILAR DIODE SUCH AS MA165 OR HSS104TJ
7. PARTS NO. OF TRANSISTORS ARE AS FOLLOWS.
Q1 2SC2668/G-T Q7, B 2SA1037AK/R/-X
Q6 DTA114YKA-X

8. INSIDE OF DIGITAL TRANSISTORS ARE SHOWN AS FOLLOWS.



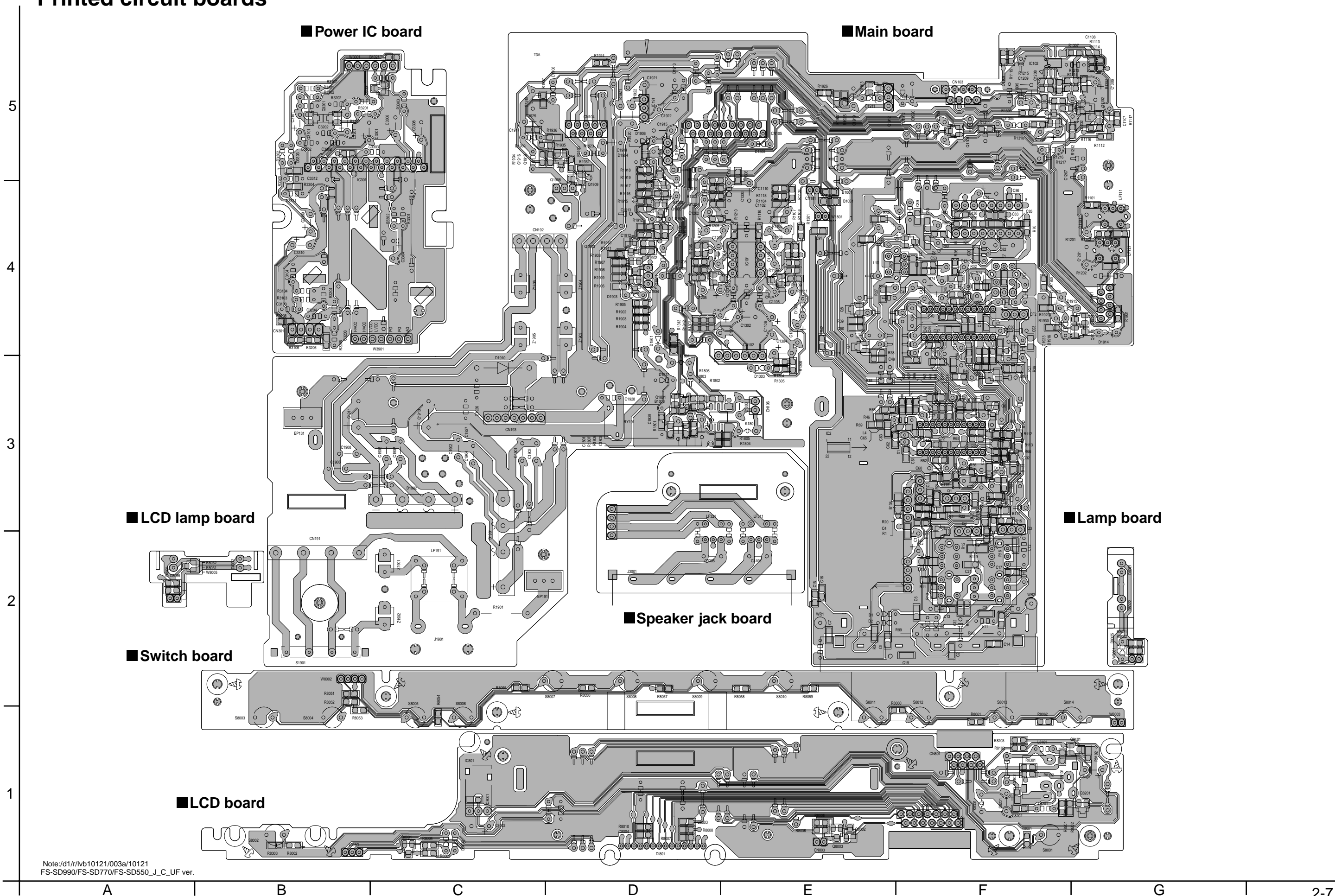
9. LAST NO. BLANK NO.
- | | | | |
|---|----|---|------------------------------------|
| R | 69 | A | 3-9, 11, 14-19, 26, 28, 33, 40 |
| C | 91 | C | 7, 8, 10, 11, 15-18, 22-29, 31, 38 |
| | | | 43, 48, 53-59, 64, 73-90 |

CONDITION	PIN NO.	1	2	3	4	5	6	7	8	9	10	11	12	13	14	15	16	17	18	19	20	21	22	23	24
IC1	FM NO SIGNAL	2.0	0.5	0	2.0	5.1	5.1	0	0	0.3	5.1	5.1	1.1	1.1	4.4	3.7	3.7	1.4	0	1.3	1.1	2.0	2.0	5.1	2.0
IC1	FM 60dB STEREO	2.0	0.5	0	2.0	5.1	5.1	1.1	0	0.3	0	0	1.1	1.1	4.3	4.1	3.7	1.4	0	1.4	1.1	2.0	2.0	5.1	2.0
IC1	AM NO SIGNAL	2.0	0.5	0	2.0	5.1	5.1	0	0	0.3	5.1	5.1	1.1	1.1	4.5	0.1	0	1.4	1.4	1.5	1.6	2.0	2.0	5.1	2.0
IC2	FM NO SIGNAL	2.4	0	0	1.1	5.0	1.1	3.7	3.7	0	0	5.1	0	0	0	0	2.6	5.1	1.0	1.0	3.7	0	2.7		

Tr No.	Q1	Q6	Q7	Q8
PIN NAME	E C B E C B	E C B E C B	E C B E C B	E C B
FM 87.5MHZ	0 7.5 0.7 8.8 8.8 0	1.6 0 1.1 1.6 0 1.1		
AM 520KHZ	0 0 0 8.8 0 8.7	1.6 0 1.1 1.6 0 1.1		

Tuner signal

Printed circuit boards



Note:d1/r/vb10121/003a/10121
FS-SD990/FS-SD770/FS-SD550_J_C_UF ver.

A

B

C

D

E

F

G

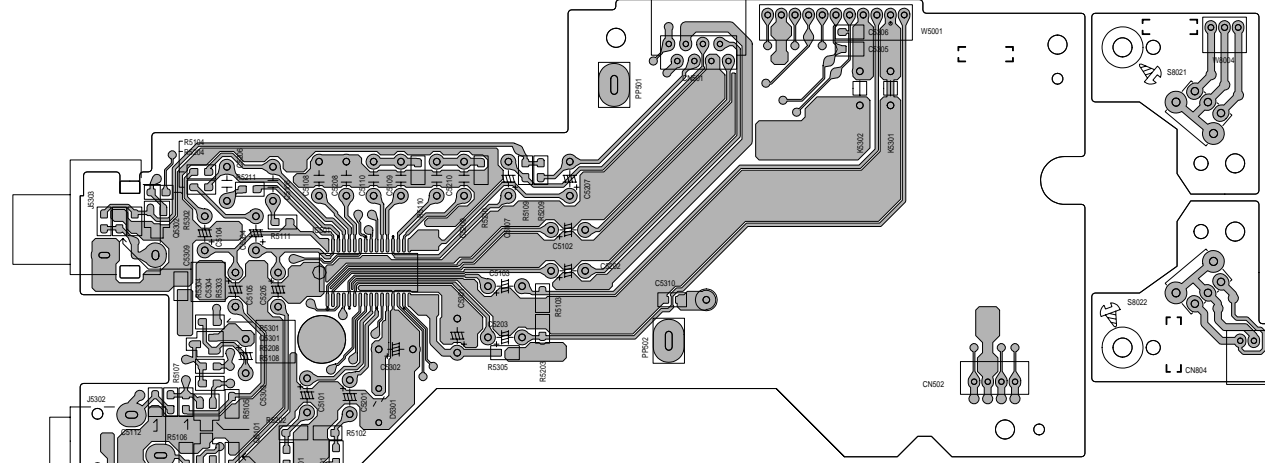
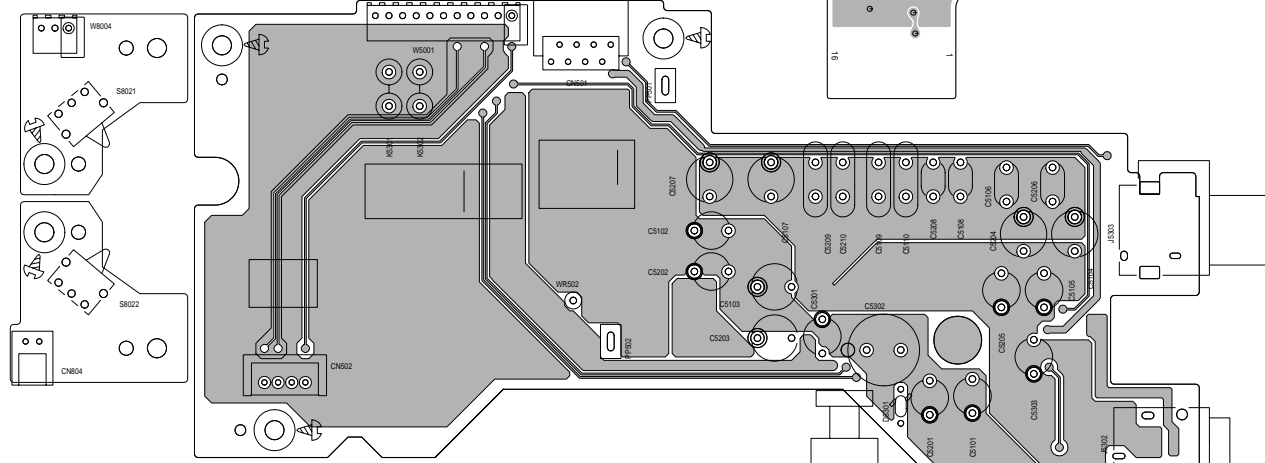
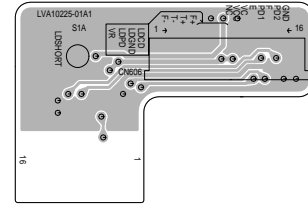
FS-SD990 / FS-SD770
FS-SD550

FS-SD990 / FS-SD770
FS-SD550

■ Line board (Forward side)

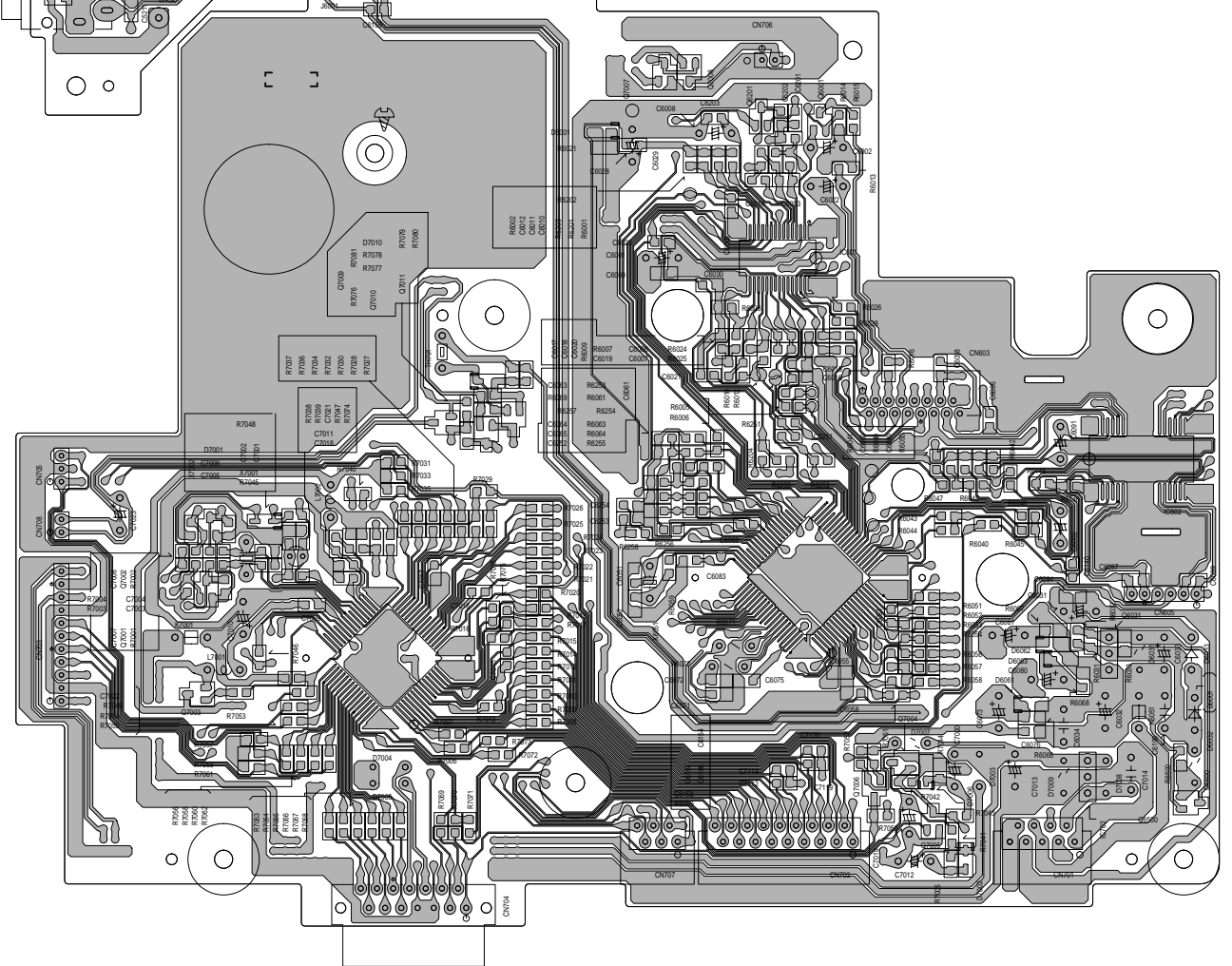
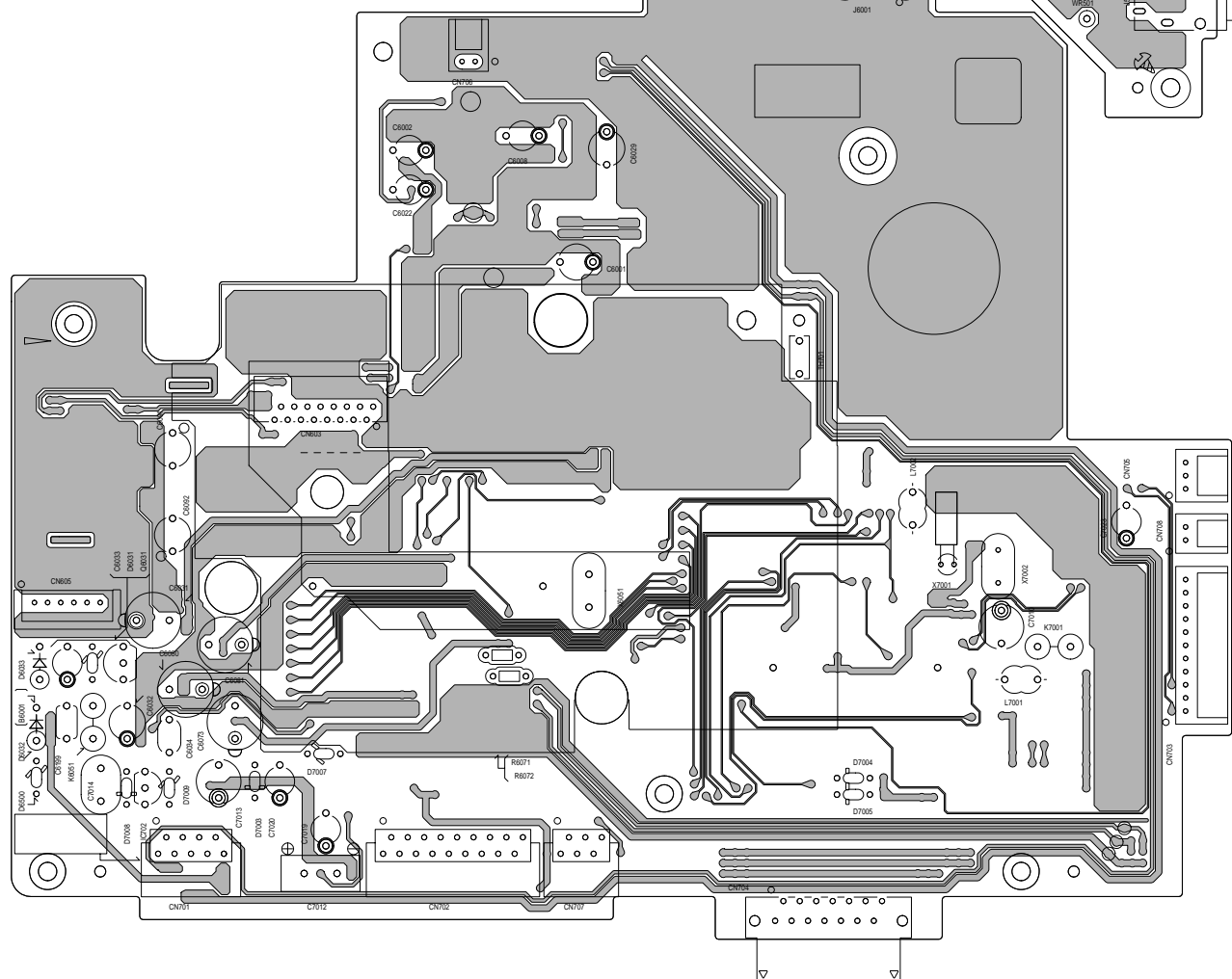
■ Sub board (forward side)

■ Line board (Reverse side)



■ CD servo board (Forward side)

■ CD servo board (Reverse side)



5
4
3
2
1

Note:/d4/n/vb10251/001a/10251
FS-SD550/FS-SD770/FS-SD990

Note:/d4/n/vb10251/001a/10251
FS-SD550/FS-SD770/FS-SD990

A B C 2-8 D E F G H